



# Door Liner Sheets

**Sound OFF Door Liner Sheets** are self-adhesive, mass loaded noise barrier sheets designed to block up body panel apertures and holes. The sheets have a smooth, paintable finish and a super strong self-adhesive backing for easy installation.

The product is ideally suited to seal the inner door panel, replacing the flimsy plastic weather seal. This treatment will dramatically improve sound quality and bass response of door mounted speakers by converting the inner door panel into a solid, non-resonant speaker baffle.



## FEATURES

- Self adhesive backing for quick installation and instant results
- Extra flexible and durable
- Heat mouldable
- Low stiffness and highly damped
- Coated with anti-migration agent
- Chemical and water resistant
- Non toxic
- Low flammability
- -20 °C to 100 °C temperature resistant

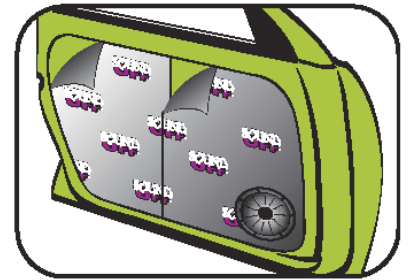
## BENEFITS

- Improves sound quality for door mounted speakers
- Reduces interior noise levels for a quieter ride
- Reduces resonant vibration in car body panels
- Eliminates tinniness and ringing in car body panels

## SPECIFICATIONS

- Weight - 3 kg/m<sup>2</sup>
- Nominal Thickness - 1.7mm
- Colour – light black
- Sheet size: 500mm x 500mm sheets, 4 sheets per box (coverage 1 m<sup>2</sup>)

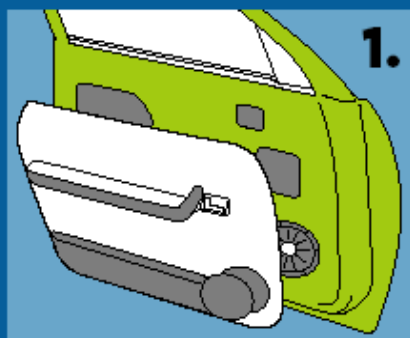
## Typical Application



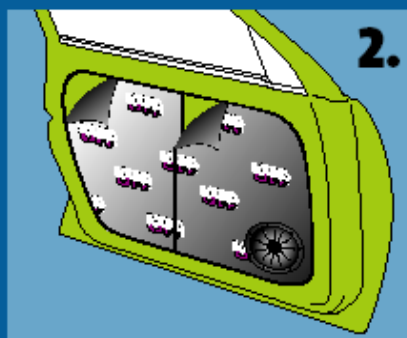
**Inner Door Panels** to replace the flimsy plastic weather seal and block up body panel holes.

## APPLICATION INSTRUCTIONS

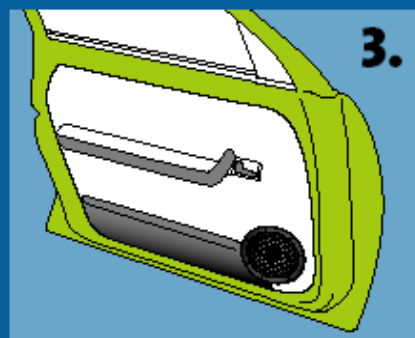
### INSTALLATION IN 3 EASY STEPS:



**1.** Remove door trim and plastic weather seal to expose inner door panel.



**2.** Cut sheets to shape, remove backing panel and fix into position. Gently heat the product and mould as required.



**3.** Refit door trim and enjoy better sound!

## ACOUSTIC CONTROL

P.O. Box 192 Glen Huntly, Victoria 3163, Australia  
Tel: 03 9571 4640